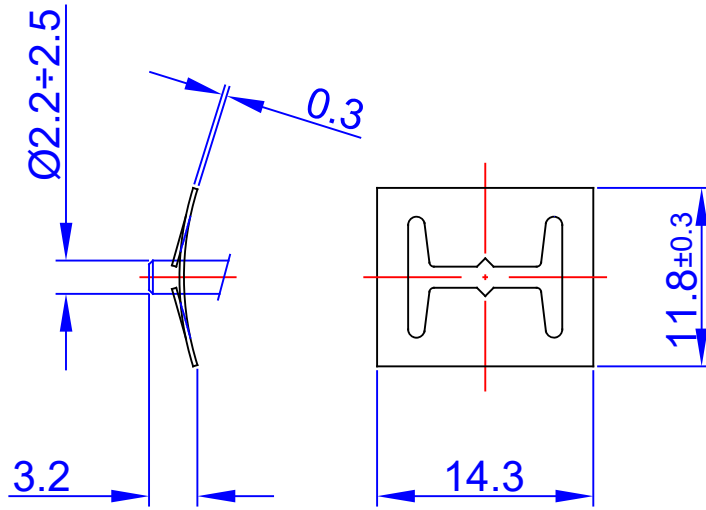
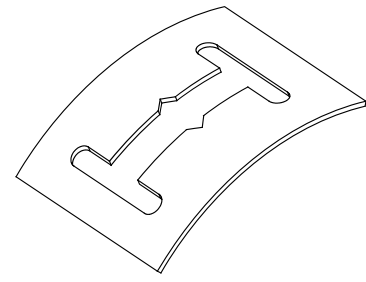


this drawing is the property of RAPITECH srl - it may not be reproduced or transmitted to third parties without the authorization of RAPITECH srl



	NOT OK	SI RACCOMANDA DI UTILIZZARE SEMPRE PERNI ARROTONDATI
	OK	IT IS RECOMMENDED TO USE ALWAYS ROUNDED EDGE SHAFT



finitura standard - tempra e rinvenimento + olio anticorrosivo | standard finishing: hardened and tempered + anticorrosive oil

MODIFICATION	DATE	DESCRIPTION	SIGN



PART NAME			
Fissatore rettangolare per perni $\varnothing 2.2 \pm 2.5$ mm Rectangular quicklock washer (push on fixes) - shaft $\varnothing 2.2 \pm 2.5$ mm			
PART NAME	DRAW ID	WEIGHT	TOLERANCE
RPR 1.022.14.12	RPR1001	0.33 gr	± 0.1
RAW MATERIAL	HEAT TREATMENT		HARDNESS
EN 1.1231/C67S (EN 10132-4)	Hardened and tempered		HR15N: 82 \pm 84
DESIGNED: S.V.	DATE: 17/09/08	REPLACES: .	
APPROVED: L.P.	DATE: 17/09/08	REPLACED BY: .	