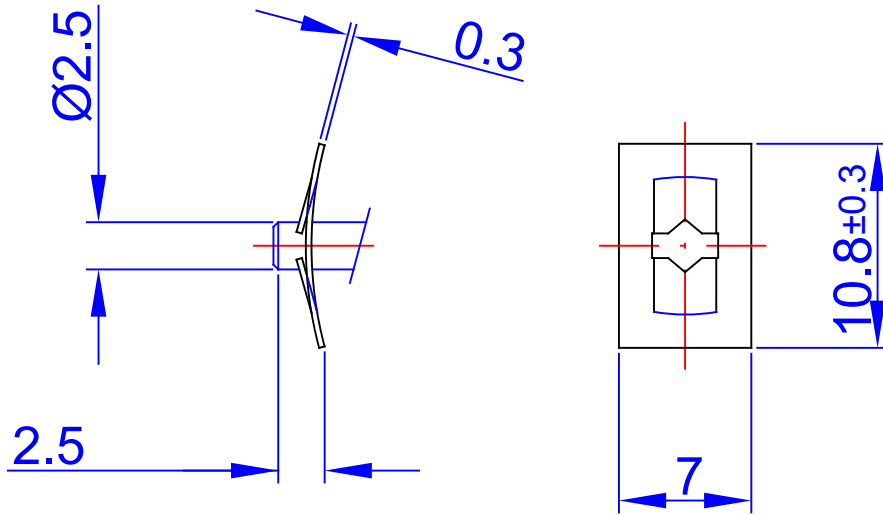
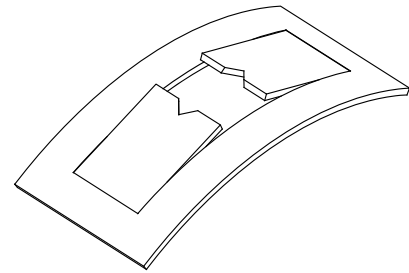


this drawing is the property of RAPITECH srl - it may not be reproduced or transmitted to third parties without the authorization of RAPITECH srl



	<b>NOT OK</b>	<b>SI RACCOMANDA DI UTILIZZARE SEMPRE PERNI ARROTONDATI</b>
	<b>OK</b>	<b>IT IS RECOMMENDED TO USE ALWAYS ROUNDED EDGE SHAFT</b>



finitura standard - tempra e rinvenimento + olio anticorrosivo | standard finishing: hardened and tempered + anticorrosive oil

MODIFICATION	DATE	DESCRIPTION	SIGN
		<b>PART NAME</b> Fissatore rettangolare per perni Ø 2.5 mm Rectangular quicklock washer (push on fixes) - shaft Ø 2.5 mm	
		<b>PART NAME</b> RPR 1.025.11.07	<b>DRAW ID</b> RPR1007
		<b>WEIGHT</b> 0.17 gr	<b>TOLLERANCE</b> ± 0.1
		<b>RAW MATERIAL</b> EN 1.1231/C67S (EN 10132-4)	<b>HEAT TREATMENT</b> Hardened and tempered
		<b>HARDNESS</b> HR15N: 82±84	
		<b>DESIGNED:</b> S.V.	<b>DATE:</b> 17/09/08
		<b>REPLACES:</b> .	
		<b>APPROVED:</b> L.P.	<b>DATE:</b> 17/09/08
		<b>REPLACED BY:</b> .	

