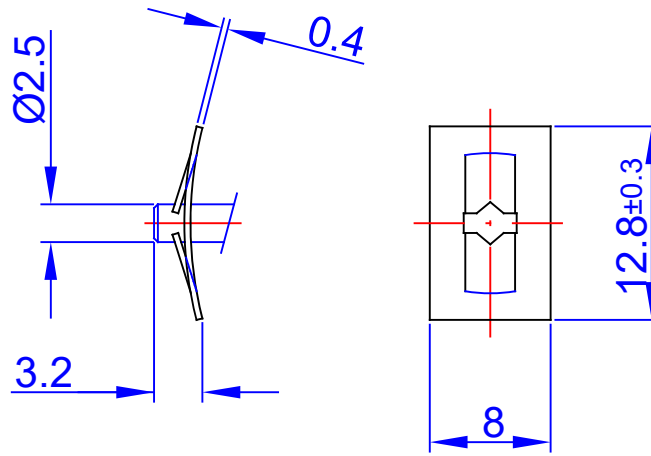
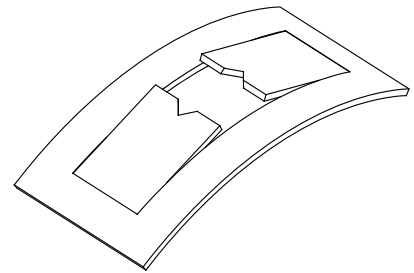


this drawing is the property of RAPITECH srl - it may not be reproduced or transmitted to third parties without the authorization of RAPITECH srl



	<b>NOT OK</b>	<b>SI RACCOMANDA DI UTILIZZARE SEMPRE PERNI ARROTONDATI</b>
	<b>OK</b>	<b>IT IS RECOMMENDED TO USE ALWAYS ROUNDED EDGE SHAFT</b>



finitura standard - tempra e rinvenimento + olio anticorrosivo | standard finishing: hardened and tempered + anticorrosive oil

MODIFICATION	DATE	DESCRIPTION	SIGN



<b>PART NAME</b>			
Fissatore rettangolare per perni Ø 2.5 mm Rectangular quicklock washer (push on fixes) - shaft Ø 2.5 mm			
<b>PART NAME</b>	<b>DRAW ID</b>	<b>WEIGHT</b>	<b>TOLERANCE</b>
RPR 1.025.13.08	RPR1002	0.30 gr	± 0.1
<b>RAW MATERIAL</b>	<b>HEAT TREATMENT</b>		<b>HARDNESS</b>
EN 1.1231/C67S (EN 10132-4)	Hardened and tempered		HR15N: 82÷84
<b>DESIGNED:</b> S.V.	<b>DATE:</b> 17/09/08	<b>REPLACES:</b> .	
<b>APPROVED:</b> L.P.	<b>DATE:</b> 17/09/08	<b>REPLACED BY:</b> .	