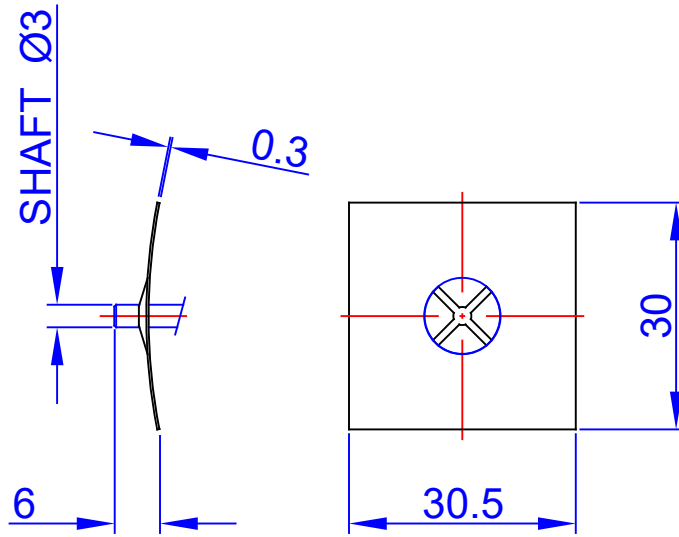
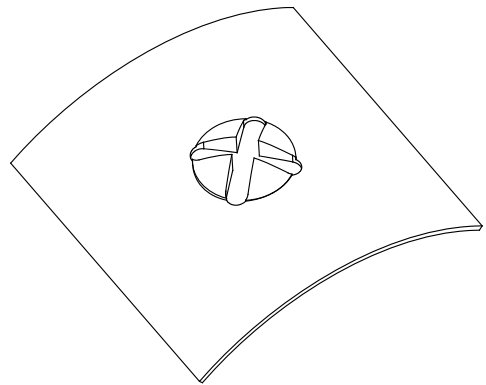


this drawing is the property of RAPITECH srl - it may not be reproduced or transmitted to third parties without the authorization of RAPITECH srl



	NOT OK	SI RACCOMANDA DI UTILIZZARE SEMPRE PERNI ARROTONDATI
	OK	IT IS RECOMMENDED TO USE ALWAYS ROUNDED EDGE SHAFT



finitura standard - tempra e rinvenimento + olio anticorrosivo | standard finishing: hardened and tempered + anticorrosive oil

MODIFICATION	DATE	DESCRIPTION	SIGN																				
<table border="1"> <tr> <td rowspan="6"> </td> <td colspan="3"> PART NAME Fissatore rettangolare per perni Ø3 Rectangular quicklock washer (push on fixes) - shaft Ø3 </td> </tr> <tr> <td> PART NUMBER RPR 1.030.30.30 </td> <td> DRAW ID RPR1010 </td> <td> WEIGHT 1.90 gr </td> <td> TOLERANCE ± 0.1 </td> </tr> <tr> <td> RAW MATERIAL EN 1.1231/C67S (EN 10132-4) </td> <td colspan="2"> HEAT TREATMENT Hardened and tempered </td> <td> HARDNESS HR15N: 82÷84 </td> </tr> <tr> <td> DESIGNED: S.V. </td> <td> DATE: 17/09/2008 </td> <td colspan="2"> REPLACES: . </td> </tr> <tr> <td> APPROVED: L.P. </td> <td> DATE: 17/09/2008 </td> <td colspan="2"> REPLACED BY: . </td> </tr> </table>					PART NAME Fissatore rettangolare per perni Ø3 Rectangular quicklock washer (push on fixes) - shaft Ø3			PART NUMBER RPR 1.030.30.30	DRAW ID RPR1010	WEIGHT 1.90 gr	TOLERANCE ± 0.1	RAW MATERIAL EN 1.1231/C67S (EN 10132-4)	HEAT TREATMENT Hardened and tempered		HARDNESS HR15N: 82÷84	DESIGNED: S.V.	DATE: 17/09/2008	REPLACES: .		APPROVED: L.P.	DATE: 17/09/2008	REPLACED BY: .	
	PART NAME Fissatore rettangolare per perni Ø3 Rectangular quicklock washer (push on fixes) - shaft Ø3																						
	PART NUMBER RPR 1.030.30.30	DRAW ID RPR1010	WEIGHT 1.90 gr		TOLERANCE ± 0.1																		
	RAW MATERIAL EN 1.1231/C67S (EN 10132-4)	HEAT TREATMENT Hardened and tempered			HARDNESS HR15N: 82÷84																		
	DESIGNED: S.V.	DATE: 17/09/2008	REPLACES: .																				
	APPROVED: L.P.	DATE: 17/09/2008	REPLACED BY: .																				